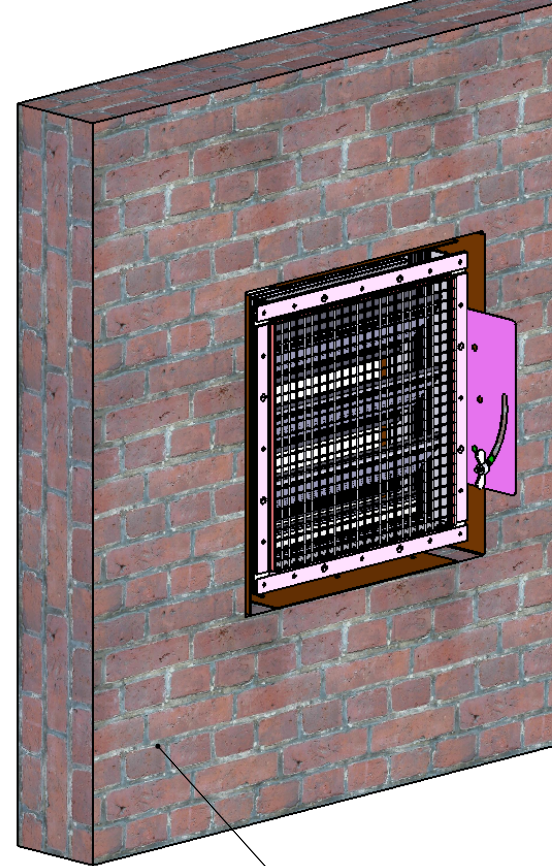
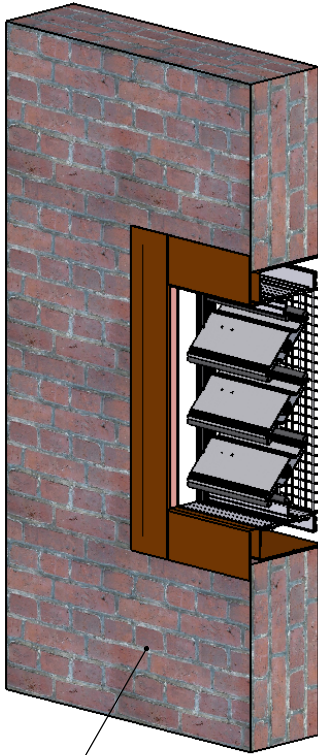


ESCPEC Inc.
Air-Foil Aluminum Control Damper

Manual Operated Damper Louver Application
Model: 100PBML



INSIDE WALL

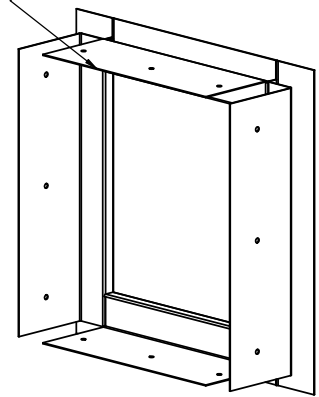


OUTSIDE WALL

Wall
Frames

Manual
Operated
Damper
Louver

Mesh
Channels



Wire Steel
Mesh with
Screen

INSIDE

.125

4.25"

"D"
Wall Thickness

OUTSIDE

1.875"

Wall Frame

DAMPER LOUVER ASSEMBLY
 SUPPLIED BY ESCPEC INC.

Note:

1. Wall opening = Damper size + 3.75"
2. Wall frames and mesh Channels are gauge 18 galvanized steel.
3. For more details call us.